

# Tripod Slim Turnstile SI-101



## Application

Office and administrative buildings . Ministries and public, buildings banks and financial institutions Industrial installations, residential areas schools, colleges and universities.

## Standard Equipment

- Solenoid valve driving motor.
- Top cover indicator.

## Operating Environment

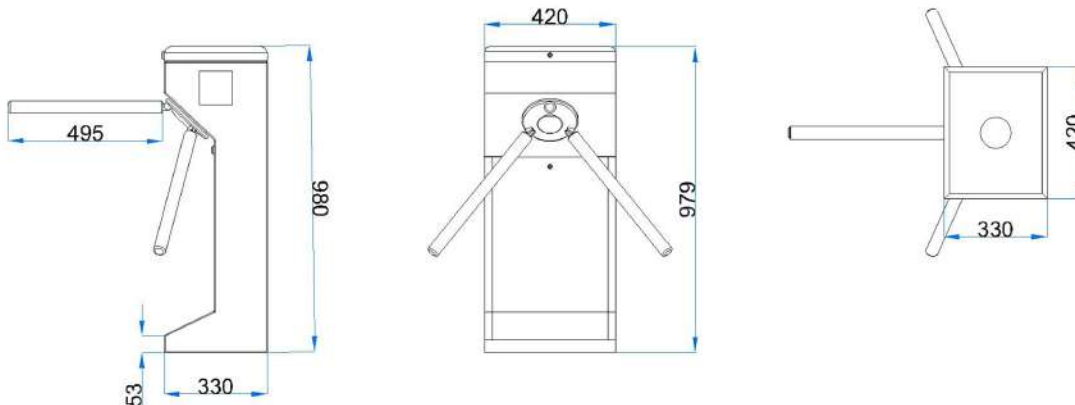
- Indoor/Outdoor, - 15 C°~60 C°.
- IP54.
- MTBF 3 million times.

## Electrical Equipment

- Voltage : AC110V/AC220V±10% 50-60Hz.
- Passing width : ≤ 550mm.
- Relative humidity : ≤ 90%, no condensation.
- Opening speed : Fastest 1.5s, adjustable.
- Passing speed : 20 people/min (IC card).
- Communication interface : RS485.
- Communication distance : ≤ 1200m.
- Input interface : Dry contact.
- Direction of passing : Uni-directional/Bi-directional.
- Noise : <50dB.

## Dimension and Material

- Size : 420\*380\*980 mm.
- Cabinet material : SUS304 stainless steel.



\* Design & dimension subject to change without prior notice, please contact us for further information.