

# Double Tripod Turnstile SI-102



## Application

Office and administrative buildings  
Ministries and public buildings banks  
and financial institutions Industrial  
installations, residential areas schools,  
colleges and universities.

## Standard Equipment

- Solenoid valve driving.
- Top cover indicator.

## Operating Environment

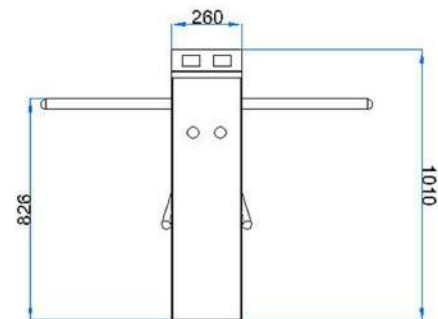
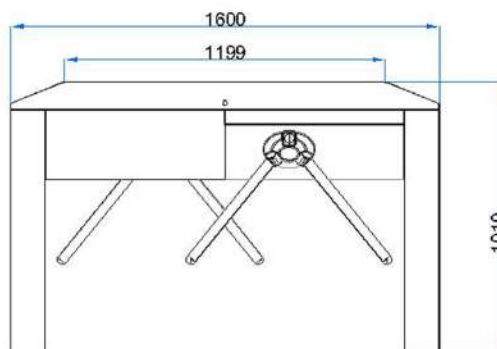
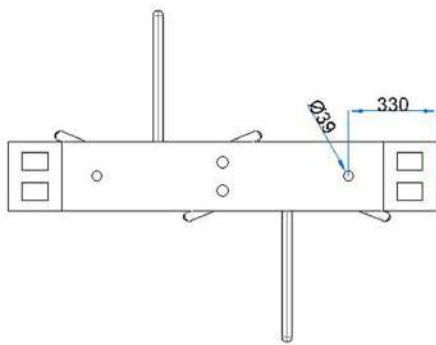
- Indoor outdoor, -15 C° 60 C°.
- IP54.
- MTBF 3 million times.

## Electrical Equipment

- Power supply voltage : AC220V±10V, 50Hz.
- Relative humidity : ≤ 95%, no condensation.
- Channel width : ≤ 550mm.
- Passing width : ≤ 600mm.
- Passing speed : 40 people/minute (IC card).
- Opening speed : Fastest 1.5s, adjustable.
- Input interface : Dry Contact.
- Communication interface : RS485 electrical standard.
- Communication distance : ≤ 1200 meters.

## Dimension and material

- Size : 1600\*260\*1010 mm.
- Materials : SUS304 brushed stainless steel.



\* Design & dimension subject to change without prior notice, please contact us for further information.