

Full Height Turnstile SI-121A/121B



Application

The Full Height main field of application Industrial installations, Residential areas, gymnasium, scenic spots, residential areas.

Model Available

- SI-121A (Full- Height Turnstile 90°).
- SI-121B (Full- Height Turnstile 120°).

Standard Equipment

- Top cover arm : 2.0mm, whole body 1.5mm.
- Arm : Stainless steel.
- Driving motor : DC brushless motor.

Operating Environment

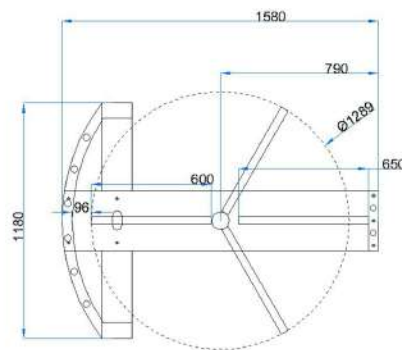
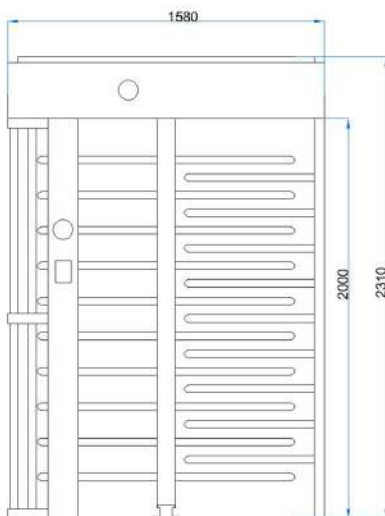
- Working temp 25 C°~+70 C°.
- IP65.
- MTBF 5 million times.

Electrical Equipment

- Voltage : AC110V/AC220V±10% 50-60Hz.
- Passing width : ≤650mm.
- Passing speed : 20-35 personal/min.
- Method of Position : Motor driving.
- Input signal : Dry contact.

Dimension and Material

- Size : 1630*1500*2310 mm.
- Material : US304 brushed stainless steel



* Design & dimension subject to change without prior notice, please contact us for further information.