

Tripod Slim with Soap Dispenser

SI-MSL-01



Application

Hygiene is health efforts by maintaining and protecting the subject hygiene such as washing hands with soap and clean water to protect the hand hygiene and break the chain of germs that can contaminate other good which occurs through direct contact with unclean hands. With the increasing demand for industrial hygiene in places such as the manufacture of chemical, pharmaceutical, food and beverage, hygiene turnstile are necessary. With the function sanitizer dispensers will ensure that personnel through the turnstile so that the cleaning solution is given, to guarantee hygiene especially on the hands.

Features

- Model available SI-MSL-01 (Tripod Slim with Soap Dispenser).
- Cleaning washing and disinfectant germs activity more easily and regularly before entering the production area.
- Eliminates contamination risk.
- Automatic foam care dispenser in stainless steel box up.
- Low level indication for disinfectant.
- Easy accessible by removable front.

Standard Equipment

- Solenoid valve driving motor.
- Top cover indicator.

Operating Environment

- Indoor/Outdoor, - 15 C°~60 C°.
- IP54.
- MTBF 3 million times.

Electrical Equipment

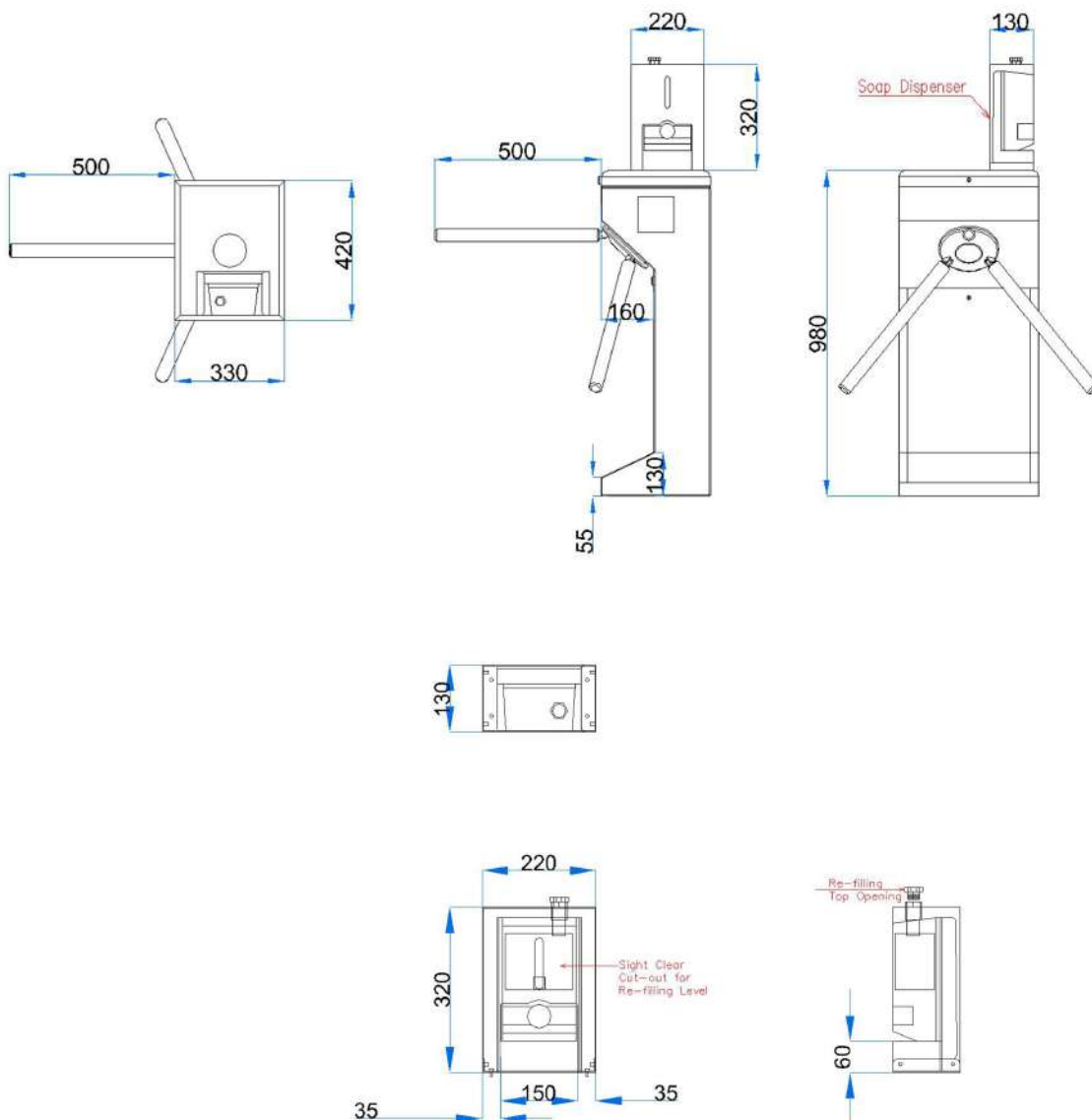
- Voltage : AC110V/AC220V±10% 50-60Hz.
- Passing width : ≤ 550mm.
- Relative humidity : ≤ 90%, no condensation.
- Opening speed : Fastest 1.5s, adjustable.
- Passing speed : 20 people/min (IC card).
- Communication interface : RS485.
- Communication distance : ≤ 1200m.
- Input interface : Dry contact.
- Direction of passing : Uni-directional/Bi-directional.
- Noise : <50dB.

Dimension and Material

- Size : 420*380*980 mm.
- Cabinet material : SUS304 stainless steel.

Specification Soap Dispenser

Dispensing dosage	: Output 0,5 ml per-close (Approx - 2000 washes per fill).
Power supply	: 3 "C" cell alkaline batteries.
Detecting distance	: Preset at 10 cm, 2 - 20 cm adjustable.
Response time	: 1,2 seconds.
Battery life	: 12 months or 50,000 usages.
Dimensions	: 240mm (H) x 140mm(W) x 90mm(D).



Detail Soap Dispenser

* Design & dimension subject to change without prior notice, please contact us for further information.